

# 493 Series Regulator

*Single Stage  
Piston-Sensed  
Ultra-High  
Pressure*



493-5952 shown

*316L Stainless Steel  
Barstock Body*

## Typical Applications

- Airplane strut charging
- Research and development laboratories
- Chemical manufacturing
- Aerospace hydraulic systems
- Pharmaceutical manufacturing
- Gauge calibration

## Advanced Features

- 316L stainless steel barstock body  
Smooth surface finish
- Front and rear panel-mountable  
Versatile system configuration
- Pressure ranges 0-750 to 0-6000 PSIG  
Broad range of applications
- Six-port design  
Flexible installation alternatives

The 493 Series regulators are intended for primary pressure control of non-corrosive gases at a maximum inlet pressure of 6000 PSIG.

## Features

- *Large piston sensor*  
Safely control pressures to 6000 PSIG
- *Capsule® seat*  
Increased serviceability and life
- *Low wetted surface area*  
Minimal purge requirements
- *Field-adjustable pressure limit*  
Safeguard downstream equipment

## Materials

*Body*  
316L stainless steel barstock

*Bonnet*  
304 stainless steel

*Seat*  
PCTFE (3000 and 4500 PSIG inlet)  
Arlon® (PEEK) (6000 PSIG inlet)

*Piston*  
316L stainless steel

*Filter*  
10 micron stainless steel multi-layer wire mesh

*Internal Seals*  
Viton®

## Specifications

*Maximum Inlet Pressure*  
6000 PSIG (415 BAR)

*Temperature Range*  
-40°F to 140°F (-40°C to 60°C)

*Gauges*  
2½" diameter stainless steel

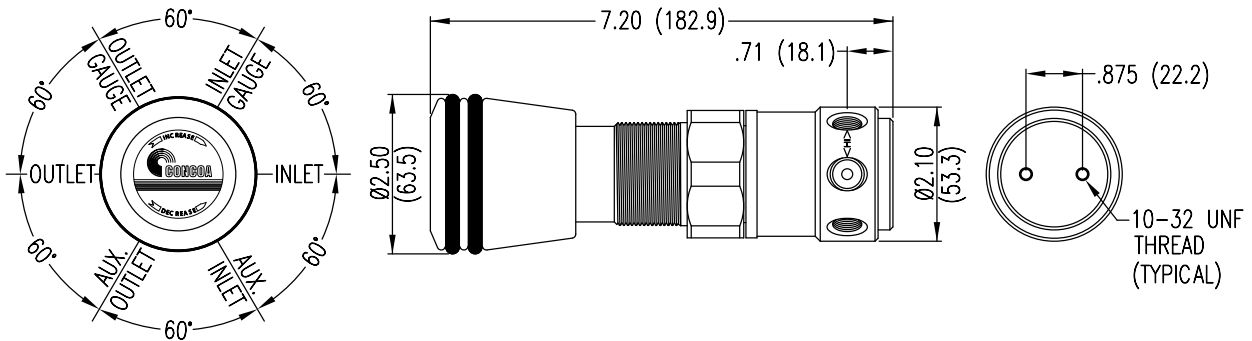
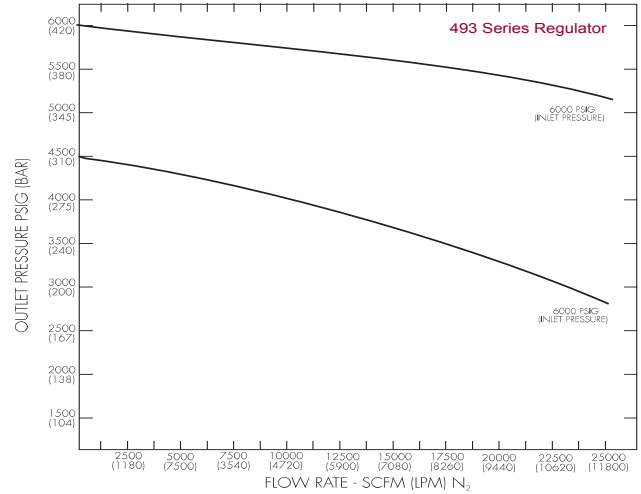
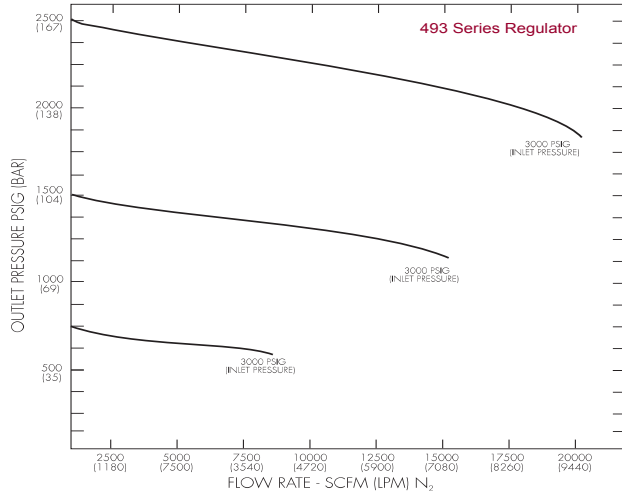
*Ports*  
¼" FPT

*Cv*  
0.1

*Weight (493-5951-677)*  
4.64 lbs. (2.10 kg)

Not for N<sub>2</sub>O, or CO<sub>2</sub>

# Flow Performance Curves



## Ordering Information *(For information about how to use this table please see page 4.)*

493	A		B		C	D	-Inlet	Options
Series 493	Outlet Pressure	Outlet Gauge	Inlet Maximum	Inlet Gauge	Outlet Assemblies	Assembly/ Gauges	Inlet Connections	Installed Options
	1: 0-750	0-1000 PSIG	0: 6000 PSIG*	None	0: 1/4" FPT	0: Bare Body*†	CGA	A: Protocol Alarm Station (110V)
	2: 0-1500	0-4000 PSIG	3: 3000 PSIG	0-4000 PSIG	1: 1/4" MPT	1: Standard Assembly (PSIG/kPa Gauges)	DIN 477	B: Protocol Alarm Station (220V)
	3: 0-2500	0-4000 PSIG	8: 5500 PSIG	0-6000 PSIG	2: 1/4" Tube	2: Standard Assembly (BAR/PSIG Gauges)	BS 341 and others available	C: Protocol Switchover Station
	4: 0-4500*	0-6000 PSIG	9: 6000 PSIG	0-10,000 PSIG	5: Needle Valve 1/4" MPT			G: Protocol Switchover Station with Alarm (110V)
	5: 0-6000†	0-10,000 PSIG			6: 1/8" Tube			H: Protocol Switchover Station with Alarm (220V)
	6: 0-3500*	0-6000 PSIG			7: 3/8" Tube			M: Protocol Station
	*Not available with 3000 PSIG maximum inlet pressure		* Only valid if D=1 or 2		M: 6mm Tube			
	†Only available with 6000 PSIG maximum inlet pressure							
Related Options			• Panel Mount Kit (830-6483)					

400 Series High Pressure Regulators