



400 Series Regulators

402

- Single Stage
- Brass Barstock Body
- Six Port Configuration
- 316L Stainless Steel Diaphragm



The 402 Series regulators are intended for primary pressure control of non-corrosive, high purity or liquefied gases, or for applications where minor fluctuations in outlet pressure due to diminishing inlet supply can be tolerated.

Typical Applications

- Bulk gas distribution systems
- Gas and liquid chromatography
- High purity carrier gases
- Zero, span, and calibration gases
- High purity chamber pressurization
- Liquefied hydrocarbon gas control
- Control of cryogenic gases
- EPA protocol standards

402 1331 shown

Features

- Metal-to-Metal Diaphragm Seal**
No possibility of gas contamination
- Capsule® Seat**
Increased serviceability and life
- Brass Barstock Body**
Smooth surface finish
- Front Panel-Mountable**
Easy installation
- 10 Micron Filtration in Both Stages**
Fail-safe seat performance
- Pressure Ranges 0-15 to 0-250 PSIG**
Broad range of applications
- Pipe Away Relief Valve**
Safely vents exhaust gases

Materials

- Body**
Brass barstock
- Bonnet**
Brass barstock
- Seat**
PTFE
- PTFE with 4500 PSIG inlet option**
- Filter**
10 micron sintered bronze
- Diaphragm**
316L stainless steel
- Internal Seals**
PTFE

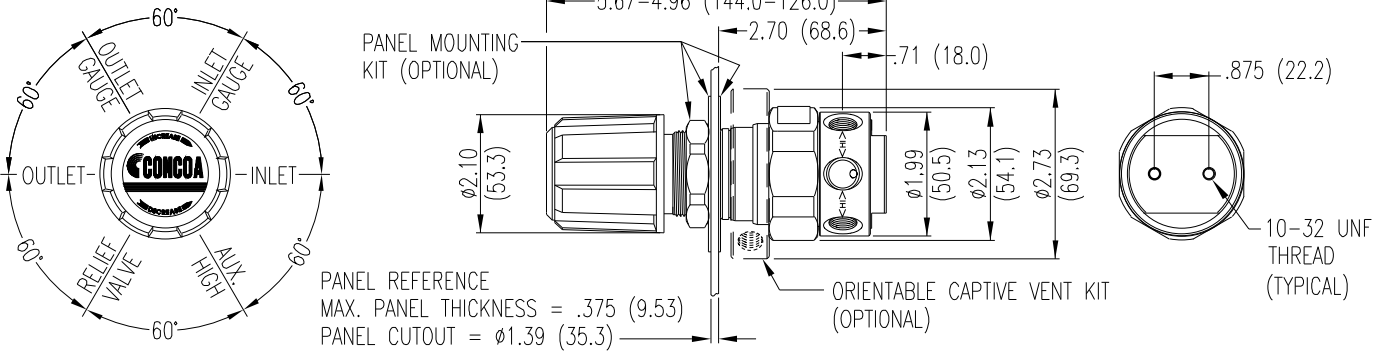
Specifications

- Maximum Inlet Pressure**
3000 PSIG (210 BAR)
4500 PSIG (310 BAR) optional
- Temperature Range**
-40°F to 140°F (-40°C to 60°C)
- Gauges**
2" diameter brass
- Ports**
1/4" FPT
- Helium Leak Integrity**
1 x 10⁻⁹ scc/sec
- Cv**
0.1
- Weight (402 2331-580)**
3.99 lbs. (1.81 kg)

400 Series Regulators



Installation Information



Ordering Information

| 402 | A | B | C | D | -CON | Options | |
|------------|-----------------|----------------|--|--|---|---|--|
| Series 402 | Outlet Pressure | Outlet Gauge | Inlet Gauge | Outlet Assemblies | Assembly/ Gauges | Inlet Connections | Installed Options |
| | 1: 0-15* | 30"-0-30 PSIG | 0: None | 0: 1/4" FPT port | 0: Bare body | 000: 1/4" FPT | A: Protocol alarm station (110V) |
| | 2: 0-50 | 30"-0-100 PSIG | 3: 0-4000 PSIG | 1: 1/4" MPT | 1: Cleanroom assembly (PSIG/kPa gauges) | TF2: 1/8" tube | B: Protocol alarm station (220V) |
| | 3: 0-100 | 30"-0-200 PSIG | 5: 0-1000 PSIG | 2: 1/4" tube fitting | 2: Cleanroom assembly (BAR/kPa gauges) | TF4: 1/4" tube | C: Protocol switchover station |
| | 4: 0-250 | 0-400 PSIG | 6: 0-300 PSIG | 3: Diaphragm valve 1/4" tube fitting | 6: Mirror image (PSI/kPa gauges) | TF6: 3/8" tube | D: Deep purge* |
| | 5: 0-500** | 0-1000 PSIG | 7: 0-400 PSIG | 4: Diaphragm valve 1/4" MPT | 7: Mirror image (BAR/PSIG gauges) | M06: 6mm tube | G: Protocol switchover station with alarm (110V) |
| | 7: 0-150 | 30"-0-200 PSIG | 8: 0-6000 PSIG* | 5: Needle valve 1/4" MPT | | CGA DIN 477 BS 341 and others available | H: Protocol switchover station with alarm (220V) |
| | A: 0-15* | 0-30 PSIG*** | *Maximum inlet pressure 4500 PSIG (310 BAR) with PCTFE Seat Capsule® | 6: 1/8" tube fitting | | | M: Protocol station |
| | | | | 7: 3/8" tube fitting | | | Q: Protocol purge station* |
| | | | | 8: Diaphragm valve 1/8" tube fitting | | | *Not available with 4500 PSIG max inlet pressure |
| | | | | 9: Diaphragm valve 1/4" FPT | | | |
| | | | | A: 3/8" BSP RH fitting | | | |
| | | | | B: Diaphragm valve 3/8" fitting | | | |
| | | | | C: 3/8" BSP LH fitting | | | |
| | | | | D: 6mm brass hose barb (not available if A=4 or 5) | | | |
| | | | | G: 1/8" stainless steel tube fitting | | | |
| | | | | H: 1/4" stainless steel tube fitting | | | |
| | | | | M: 6mm tube fitting | | | |
| | | | | S: Diaphragm valve 6mm tube fitting | | | |
| | | | | | | | |

*Not available with 4500 PSIG maximum inlet pressure
 **Standard assembly does not include relief valve
 *** With redline for acetylene use.

Related Options

| Order No. | Description |
|-----------|---------------------------|
| 550 0002 | Panel mount kit |
| 550 0001 | Captured vent kit |
| 476 0002 | Helium leak certification |

