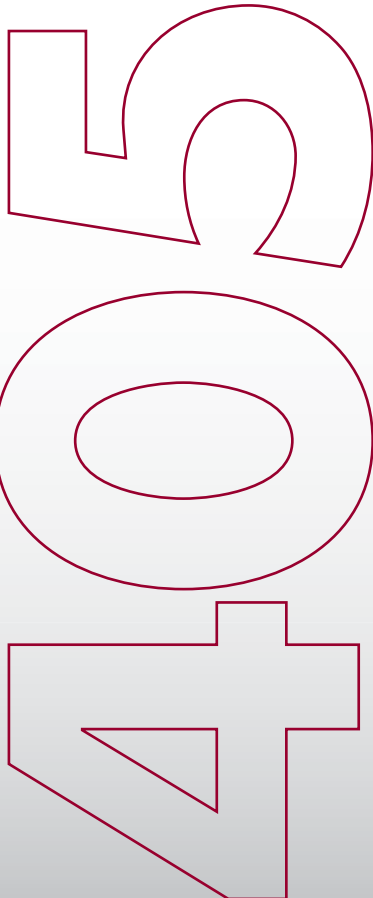




400 Series Regulators



- Single Stage
- Brass Barstock Body
- Four Port Configuration
- 316L Stainless Steel Diaphragm



405 2021 shown

The 405 Series regulators are intended for secondary pressure control of non-corrosive, high purity or liquefied gases or as point of use pressure control in high purity gas distribution systems.

Typical Applications

- Bulk gas distribution systems
- Gas and liquid chromatography
- High purity carrier gases
- Zero, span, and calibration gases
- High purity chamber pressurization
- Liquefied hydrocarbon gas control
- Control of cryogenic gases

Features

- Metal-to-Metal Diaphragm Seal**
No possibility of gas contamination
- Capsule® Seat**
Increased serviceability and life
- Brass Barstock Body**
Smooth surface finish
- Front and Rear Panel-Mountable**
Versatile system configuration
- Pressure Ranges 0-15 to 0-500 PSIG**
Broad range of applications
- 3000 PSIG Inlet Pressure Rating**
Safe use with high pressure cylinders
- Pipe Away Relief Valve**
Safely vents exhaust gases

Materials

- Body**
Brass barstock
- Bonnet**
Brass barstock
- Seat**
PTFE
- Filter**
10 micron sintered bronze
- Diaphragm**
316L stainless steel
- Internal Seals**
PTFE

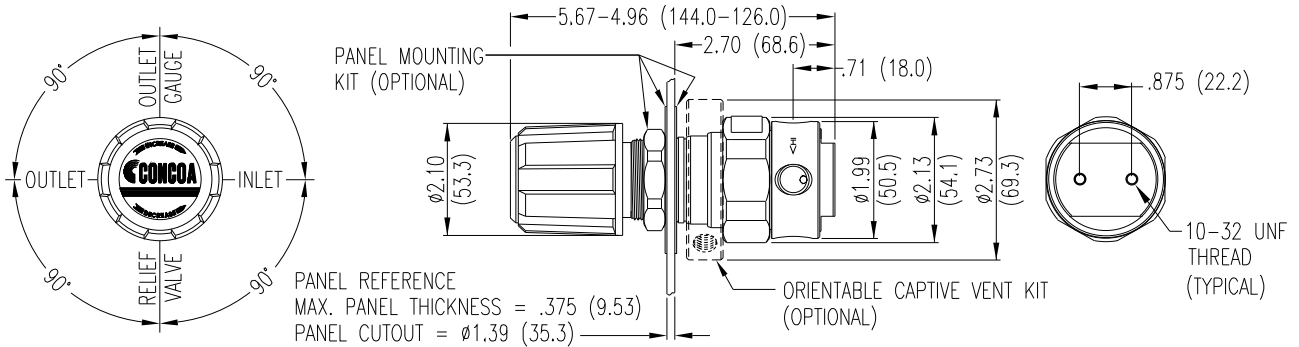
Specifications

- Maximum Inlet Pressure**
3000 PSIG (210 BAR)
- Temperature Range**
-40°F to 140°F (-40°C to 60°C)
- Gauge**
2" diameter brass
- Ports**
1/4" FPT
- Helium Leak Integrity**
1 x 10⁻⁹ scc/sec
- Cv**
0.1 (Max outlet 50 PSIG or below)
0.2 (Max outlet above 50 PSIG)
- Weight (405 2021-TF4)**
2.71 lbs. (1.23 kg)

400 Series Regulators



Installation Information



400 SERIES

Ordering Information

405	A	B	C	D	-CON	Options	
Series 405	Outlet Pressure	Outlet Gauge	Inlet Gauge	Outlet Assemblies	Assembly/ Gauges	Inlet Connections	Installed Options
	1: 0-15	30"-0-30 PSIG	0: None	0: 1/4" FPT port	0: Bare body	000: 1/4" FPT	D: Deep purge
	2: 0-50	30"-0-100 PSIG		1: 1/4" MPT	1: Cleanroom assembly (PSIG/kPa gauges)	TF2: 1/8" tube	M: Protocol station
	3: 0-100	30"-0-200 PSIG		2: 1/4" tube fitting	2: Cleanroom assembly (BAR/PSIG gauges)	TF4: 1/4" tube	Q: Protocol purge station
	4: 0-250	0-400 PSIG		3: Diaphragm valve 1/4" tube fitting	6: Mirror image (PSIG/kPa gauges)	TF6: 3/8" tube	
	5: 0-500**	0-1000 PSIG		4: Diaphragm valve 1/4" MPT	7: Mirror image (BAR/PSIG gauges)	M06: 6mm tube	
	7: 0-150	30"-0-200 PSIG		5: Needle valve 1/4" MPT			
	<i>**Standard assembly does not include relief valve</i>			6: 1/8" tube fitting			
				7: 3/8" tube fitting			
				8: Diaphragm valve 1/8" fitting			
				9: Diaphragm valve 1/4" FPT			
				A: 3/8" BSP RH fitting			
				B: Diaphragm valve 3/8" tube fitting			
				C: 3/8" BSP LH fitting			
				D: 6mm brass hose barb (Not available if A=4 or 5)			
				G: 1/8" stainless steel tube fitting			
				H: 1/4" stainless steel tube fitting			
				M: 6mm tube fitting			
				S: Diaphragm valve 6mm tube fitting			

Related Options

Order No.	Description
550 0002	Panel mount kit
550 0001	Captured vent kit
476 0002	Helium leak certification

Flow Curves for 405, 425, 435, 445 Regulators

