



# 400 Series Regulators



- Single Stage
- 316L Stainless Steel Barstock Body
- Six Port Configuration
- 316L Stainless Steel Diaphragm



422 3331 shown

The 422 Series regulators are intended for primary pressure control of ultra-high purity and corrosive gases in applications where minor fluctuations in outlet pressure due to diminishing inlet supply can be tolerated.

### Typical Applications

- Gas and liquid chromatography
- Ultra-high purity carrier gases
- Zero, span, and calibration gases
- High purity chamber pressurization
- Liquefied hydrocarbon gas control
- Control of cryogenic gases
- Corrosive gases

## Features

- Metal-to-Metal Diaphragm Seal**  
No possibility of gas contamination
- Capsule® Seat**  
Increased serviceability and life
- 316L Stainless Steel Barstock Body**  
Increased corrosion resistance
- Front and Rear Panel-Mountable**  
Versatile system configuration
- Pressure Ranges 0-15 to 0-500 PSIG**  
Broad range of applications
- Pipe Away Relief Valve**  
Safely vents exhaust gases

## Materials

- Body**  
316L stainless steel barstock
- Bonnet**  
Chrome-plated brass barstock
- Seat**  
PTFE  
PCTFE with 4500 PSIG inlet option
- Filter**  
Patented 10 micron 316 mesh
- Diaphragm**  
316L stainless steel
- Internal Seals**  
PTFE

## Specifications

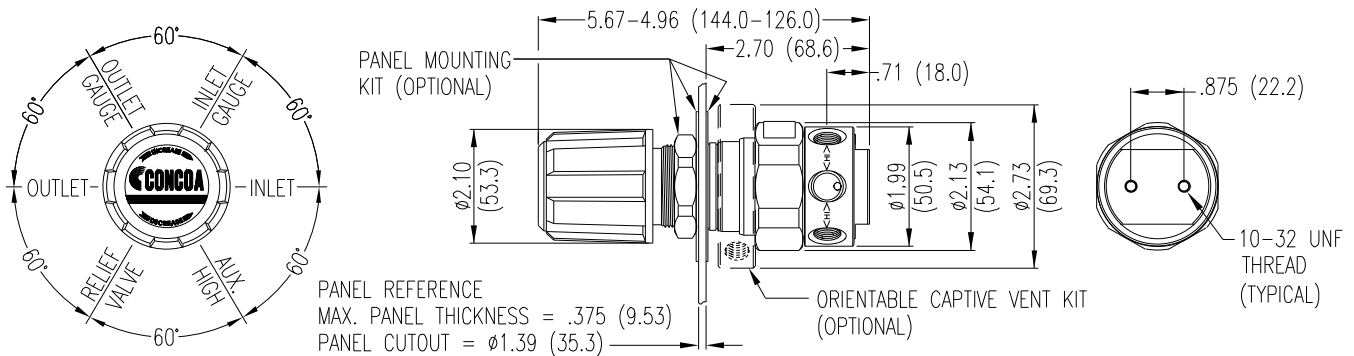
- Maximum Inlet Pressure**  
3000 PSIG (210 BAR)  
4500 PSIG (310 BAR) optional
- Temperature Range**  
-40°F to 140°F (-40°C to 60°C)
- Gauges**  
2" diameter stainless steel
- Ports**  
1/4" FPT
- Helium Leak Integrity**  
1 x 10<sup>-9</sup> scc/sec
- Cv**  
0.1
- Weight (422 2331-580)**  
3.8 lbs. (1.73 kg)

# 400 Series Regulators



## Installation Information

400 SERIES



## Ordering Information

422	A	B	C	D	-CON	Options	
Series 422	Outlet Pressure	Outlet Gauge	Inlet Gauge	Outlet Assemblies	Assembly/ Gauges	Inlet Connections	Installed Options
	<b>1:</b> 0-15*	30"-0-30 PSIG	<b>0:</b> None	<b>0:</b> 1/4" FPT port	<b>0:</b> Bare body	<b>000:</b> 1/4" FPT	<b>A:</b> Protocol alarm station (110V)
	<b>2:</b> 0-50	30"-0-100 PSIG	<b>3:</b> 0-4000 PSIG	<b>1:</b> 1/4" MPT	<b>1:</b> Cleanroom assembly (PSIG/kPa gauges)	<b>TF2:</b> 1/8" tube	<b>B:</b> Protocol alarm station (220V)
	<b>3:</b> 0-100	30"-0-200 PSIG	<b>5:</b> 0-1000 PSIG	<b>2:</b> 1/4" tube fitting	<b>2:</b> Cleanroom assembly (BAR/PSIG gauges)	<b>TF4:</b> 1/4" tube	<b>C:</b> Protocol switchover station
	<b>4:</b> 0-250	0-400 PSIG	<b>6:</b> 0-300 PSIG	<b>3:</b> Diaphragm valve 1/4" tube fitting	<b>6:</b> Mirror image (PSIG/kPa gauges)	<b>TF6:</b> 3/8" tube	<b>D:</b> Deep purge*
	<b>5:</b> 0-500**	0-1000 PSIG	<b>7:</b> 0-400 PSIG	<b>4:</b> Diaphragm valve 1/4" MPT	<b>7:</b> Mirror image (BAR/PSIG gauges)	<b>M06:</b> 6mm tube	<b>G:</b> Protocol switchover station with alarm (110V)
	<b>7:</b> 0-150	30"-0-200 PSIG	<b>8:</b> 0-6000 PSIG*	<b>5:</b> Needle valve 1/4" MPT		CGA DIN 477 BS 341 and others available	<b>H:</b> Protocol switchover station with alarm (220V)
	<i>*Not available with 4500 PSIG maximum inlet pressure</i>	<i>*Maximum inlet pressure 4500 PSIG (310 BAR) with PCTFE seat Capsule®</i>		<b>6:</b> 1/8" tube fitting			<b>M:</b> Protocol station
	<i>**Standard assembly does not include relief valve</i>			<b>7:</b> 3/8" tube fitting			<b>Q:</b> Protocol purge station*
				<b>8:</b> Diaphragm valve 1/8" tube fitting			<b>R:</b> SilcoNert™ 1020 coated
				<b>9:</b> Diaphragm valve 1/4" FPT			<b>S:</b> Stainless steel bonnet
				<b>M:</b> 6mm tube fitting			<i>*Not available with 4500 PSIG max inlet pressure</i>
				<b>S:</b> Diaphragm valve 6mm tube fitting			

## Related Options

Order No.	Description
550 0002	Panel mount kit
550 0001	Captured vent kit
476 0002	Helium leak certification

# Flow Curves for 302, 304, 305, 307, 322, 324, 327, 402, 408, 420, 422, 426, 427, 428, 429 Series Regulators

