



# 400 Series Regulators



- Single Stage
- 316L Stainless Steel Barstock Body
- Four Port Configuration
- 316L Stainless Steel Diaphragm



The 425 Series regulators are intended for secondary pressure control of ultra-high purity and corrosive gases or as point-of-use pressure control in ultra-high purity gas distribution systems.

### Typical Applications

- Bulk gas distribution systems
- Gas and liquid chromatography
- Ultra-high purity carrier gases
- Zero, span, and calibration gases
- High purity chamber pressurization
- Liquefied hydrocarbon gas control
- Control of cryogenic gases
- Corrosive gases

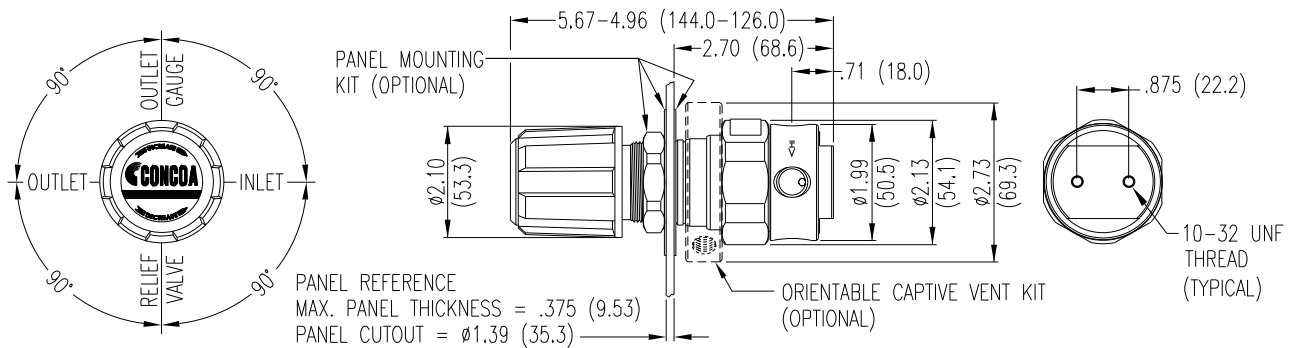
Features	Materials	Specifications
<p><b>Metal-to-Metal Diaphragm Seal</b> No possibility of gas contamination</p> <p><b>Capsule® Seat</b> Increased serviceability and life</p> <p><b>316L Stainless Steel Barstock Body</b> Increased corrosion resistance</p> <p><b>Front and Rear Panel-Mountable</b> Versatile system configuration</p> <p><b>Pressure Ranges 0-15 to 0-500 PSIG</b> Broad range of applications</p> <p><b>3000 PSIG Inlet Pressure Rating</b> Safe use with high pressure cylinders</p> <p><b>Pipe Away Relief Valve</b> Safely vents exhaust gases</p>	<p><b>Body</b> 316L stainless steel barstock</p> <p><b>Bonnet</b> Chrome-plated brass barstock</p> <p><b>Seat</b> PTFE</p> <p><b>Filter</b> Patented 10 micron 316 mesh</p> <p><b>Diaphragm</b> 316L stainless steel</p> <p><b>Internal Seals</b> PTFE</p>	<p><b>Maximum Inlet Pressure</b> 3000 PSIG (210 BAR)</p> <p><b>Temperature Range</b> -40°F to 140°F (-40°C to 60°C)</p> <p><b>Gauges</b> 2" diameter stainless steel</p> <p><b>Ports</b> 1/4" FPT</p> <p><b>Helium Leak Integrity</b> 1 x 10<sup>-9</sup> scc/sec</p> <p><b>Cv</b> 0.1 (Max outlet 50 PSIG or below) 0.2 (Max outlet above 50 PSIG)</p> <p><b>Weight (425 2021-TF4)</b> 2.58 lbs. (1.17 kg)</p>

# 400 Series Regulators



## Installation Information

400 SERIES



## Ordering Information

425	A	B	C	D	-CON	Options	
Series 425	Outlet Pressure	Outlet Gauge	Inlet Gauge	Outlet Assemblies	Assembly/ Gauges	Inlet Connections	Installed Options
	<b>1:</b> 0-15	30"-0-30 PSIG	<b>0:</b> None	<b>0:</b> 1/4" FPT Port	<b>0:</b> Bare body	<b>000:</b> 1/4" FPT	<b>M:</b> Protocol station
	<b>2:</b> 0-50	30"-0-100 PSIG		<b>1:</b> 1/4" MPT	<b>1:</b> Cleanroom Assembly (PSIG/kPa Gauges)	<b>TF2:</b> 1/8" tube	<b>Q:</b> Protocol purge station
	<b>3:</b> 0-100	30"-0-200 PSIG		<b>2:</b> 1/4" tube fitting	<b>2:</b> Cleanroom Assembly (BAR/PSIG Gauges)	<b>TF4:</b> 1/4" tube	<b>S:</b> Stainless steel bonnet
	<b>4:</b> 0-250	0-400 PSIG		<b>3:</b> Diaphragm valve 1/4" tube fitting	<b>6:</b> Mirror Image (PSIG/kPa Gauges)	<b>TF6:</b> 3/8" tube	
	<b>5:</b> 0-500**	0-1000 PSIG		<b>4:</b> Diaphragm valve 1/4" MPT	<b>7:</b> Mirror Image (BAR/PSIG Gauges)	<b>M06:</b> 6mm tube	
	<b>7:</b> 0-150	30"-0-200 PSIG		<b>5:</b> Needle valve 1/4" MPT			
	<i>**Standard assembly does not include relief valve</i>			<b>6:</b> 1/8" tube fitting			
				<b>7:</b> 3/8" tube fitting			
				<b>8:</b> Diaphragm valve 1/8" tube fitting			
				<b>9:</b> Diaphragm valve 1/4" FPT			
				<b>M:</b> 6mm tube fitting			
				<b>S:</b> Diaphragm valve 6mm tube fitting			

## Related Options

Order No.	Description
550 0002	Panel mount kit
550 0001	Captured vent kit
476 0002	Helium leak certification

# Flow Curves for 405, 425, 435, 445 Regulators

