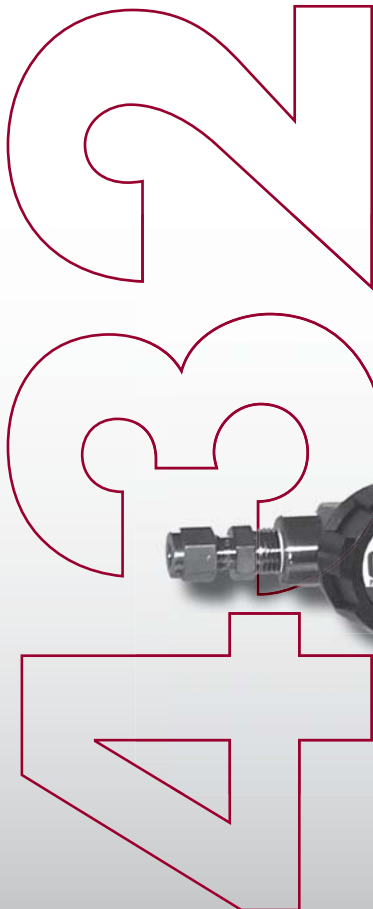




400 Series Regulators



- Dual Stage
- 316L Stainless Steel Barstock Body
- Six Port Configuration
- 316L Stainless Steel Diaphragm



432 3331 shown

The 432 Series regulators are intended for primary pressure control of ultra-high purity or corrosive gases for applications requiring constant pressure control and delivery regardless of supply pressure variations.

Typical Applications

- EPA protocol gases
- Gas and liquid chromatography
- High purity carrier gases
- Zero, span, and calibration gases
- Ultra-high purity chamber pressurization
- Corrosive gases

Features

- Metal-to-Metal Diaphragm Seal**
No possibility of gas contamination
- Capsule® Seat**
Increased serviceability and life
- 316L Stainless Steel Barstock Body**
Increased corrosion resistance
- Front Panel-Mountable**
Easy installation
- 10 Micron Filtration in Both Stages**
Fail-safe seat performance
- Pressure Ranges 0-15 to 0-250 PSIG**
Broad range of applications
- Pipe Away Relief Valve**
Safely vents exhaust gases

Materials

- Body**
316L stainless steel barstock
- Bonnet**
Chrome-plated brass barstock
- Seat**
PTFE
PCTFE with 4500 PSIG inlet option
- Filter**
Patented 10 micron 316 mesh
- Diaphragm**
316L stainless steel
- Internal Seals**
PTFE

Specifications

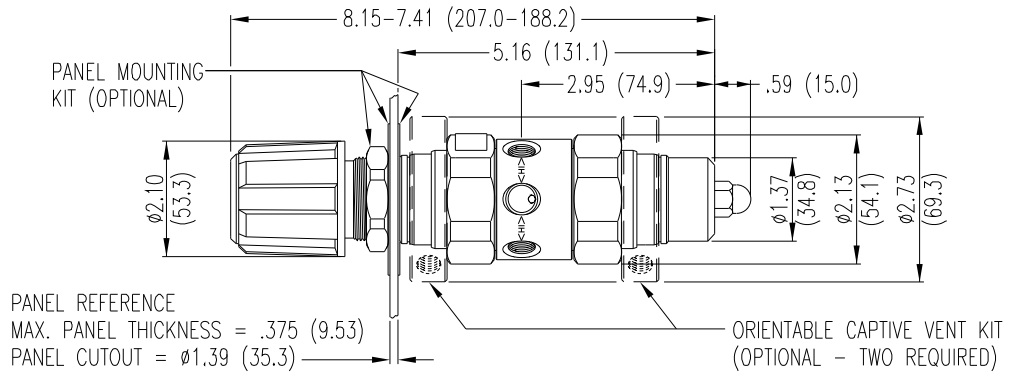
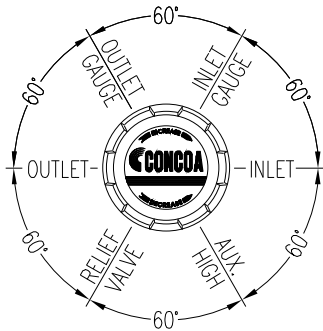
- Maximum Inlet Pressure**
3000 PSIG (210 BAR)
4500 PSIG (310 BAR) optional
- Temperature Range**
-40°F to 140°F (-40°C to 60°C)
- Gauges**
2" diameter stainless steel
- Ports**
1/4" FPT
- Helium Leak Integrity**
1 x 10⁻⁹ scc/sec
- Cv**
0.1
- Weight (432 2021-580)**
5.09 lbs. (2.31 kg)

400 Series Regulators



400 SERIES

Installation Information



Ordering Information

432	A		B	C	D	-CON	Options	
Series 432	Outlet Pressure	Outlet Gauge	Inlet Gauge	Outlet Assemblies	Assembly/ Gauges	Inlet Connections	Installed Options	
	1: 0-15	30"-0-30 PSIG	0: None	0: 1/4" FPT port	0: Bare body	000: 1/4" FPT	A: Protocol alarm station (110V)	
	2: 0-50	30"-0-100 PSIG	3: 0-4000 PSIG	1: 1/4" MPT	1: Cleanroom assembly (PSIG/kPa gauges)	TF2: 1/8" tube	B: Protocol alarm station (220V)	
	3: 0-100	30"-0-200 PSIG	5: 0-1000 PSIG	2: 1/4" tube fitting	2: Cleanroom assembly (BAR/PSIG gauges)	TF4: 1/4" tube	C: Protocol switchover station	
	4: 0-250	0-400 PSIG	6: 0-300 PSIG	3: Diaphragm valve 1/4" tube fitting		TF6: 3/8" tube	D: Deep purge*	
	7: 0-150	30"-0-200 PSIG	7: 0-400 PSIG	4: Diaphragm valve 1/4" MPT		M06: 6mm tube	G: Protocol switchover station with alarm (110V)	
			8: 0-6000 PSIG*	5: Needle valve 1/4" MPT		CGA DIN 477 BS 341 and others available	H: Protocol switchover station with alarm (220V)	
			*Maximum inlet pressure 4500 PSIG (310 BAR) with PCTFE seat Capsule®	6: 1/8" tube fitting			M: Protocol station	
				7: 3/8" tube fitting				Q: Protocol purge station*
				8: Diaphragm valve 1/8" tube fitting				R: SilcoNert™ 1020 coated
				9: Diaphragm valve 1/4" FPT				S: Stainless steel bonnets
				M: 6mm tube fitting				
				S: Diaphragm valve 6mm tube fitting				

Related Options

Order No.	Description
550 0002	Panel mount kit
550 0001	Captured vent kit (2 required)
476 0002	Helium leak certification

Flow Curves for 312, 315, 332, 412, 430 432 Series Regulators

