



200 Series Regulators



200

- Single Stage
- Chrome-Plated Forged Brass Body
- 316L Stainless Steel Diaphragm
- Five Port Configuration

The 202 Series regulators are intended for primary pressure control of non-corrosive, high purity or liquefied gases (up to grade 4.5) in applications where minor fluctuations in outlet pressure due to diminishing inlet supply pressure can be tolerated.



202 1331 shown

Typical Applications

- Gas supply purging
- Gas system charging
- Fuel gas supply control
- Calibration gas control
- Atomic absorption acetylene

Features

- Capsule® Seat**
Increased serviceability and life
- 316L Stainless Steel Diaphragm**
No inboard diffusion
- Forged Body**
Durable, long-lasting construction
- Field-Adjustable Pressure Limit**
Safeguard downstream equipment
- Large Convoluted Diaphragm**
Smooth pressure changes
- Standard Relief Valve**
Diaphragm and gauge protection
- Chrome-Plated Forged Brass Body**
Economical high purity design
- High Flow Capacity**
Supply multiple user locations
- Pressure Ranges 0-15 to 0-200 PSIG**
Broad range of applications

Materials

- Body**
Chrome-plated forged brass
- Bonnet**
Chrome-plated die cast zinc
- Seat**
PTFE
PCTFE with 4500 PSIG inlet option
- Filter**
10 micron sintered bronze
- Diaphragm**
316L stainless steel
- Internal Seals**
PTFE

Specifications

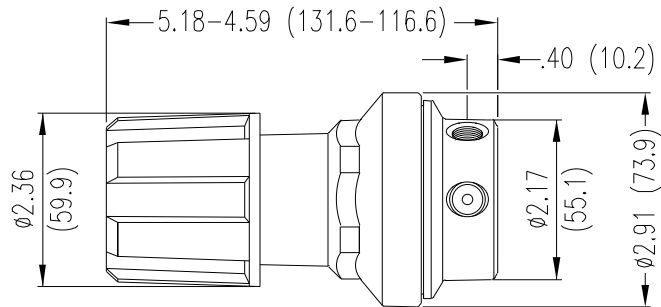
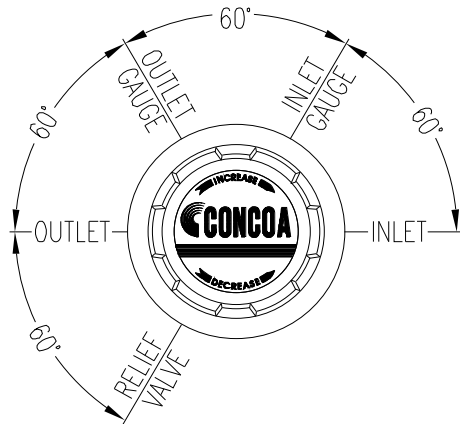
- Maximum Inlet Pressure**
3000 PSIG (210 BAR)
- Temperature Range**
-40°F to 140°F (-40°C to 60°C)
- Gauges**
2 1/2" diameter chrome-plated brass
- Ports**
1/4" FPT
- Helium Leak Integrity**
1 x 10⁻⁸ scc/sec
- Cv**
0.2
- Weight (202 3331-580)**
3.8 lbs. (1.74 kg)

CRN OH 5216.5C

200 Series Regulators



Installation Information



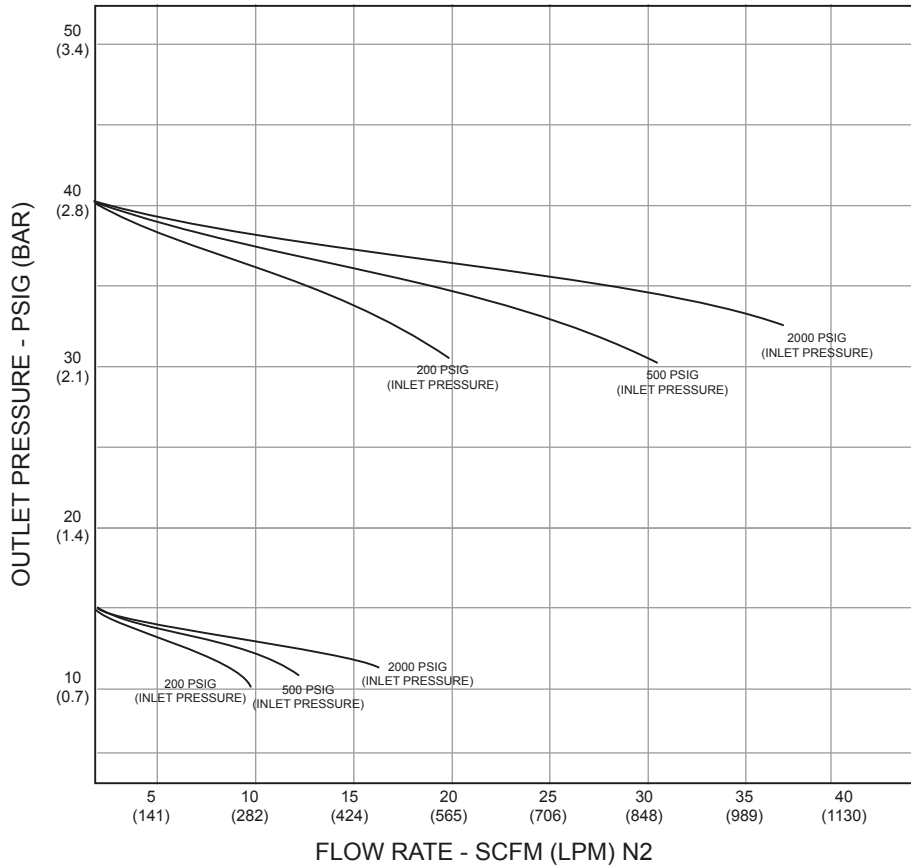
Ordering Information

202	A	B	C	D	-CON	Options	
Series 202	Outlet Pressure	Outlet Gauge	Inlet Gauge	Outlet Assemblies	Assembly Gauges	Inlet Connections	Installed Options
	1: 0-15	0-30 PSIG	0: None	0: 1/4" FPT port	0: Bare body	000: 1/4" FPT	A: Protocol alarm station (110V)
	2: 0-40	0-60 PSIG	3: 0-4000 PSIG	1: 1/4" MPT	1: Standard assembly (PSIG/kPa gauges)	TF2: 1/8" tube	B: Protocol alarm station (220V)
	3: 0-120	0-200 PSIG	5: 0-1000 PSIG	2: 1/4" tube fitting	2: Standard assembly (BAR/PSIG gauges)	TF4: 1/4" tube	C: Protocol switchover station
	4: 0-200	0-400 PSIG	6: 0-400 PSIG	3: Diaphragm valve 1/4" tube fitting		TF6: 3/8" tube	G: Protocol switchover station with alarm (110V)
	5: 0-15*	0-30 PSIG	9: 0-600 PSIG	4: Diaphragm valve 1/4" MPT		M06: 6mm tube	H: Protocol switchover station with alarm (220V)
	<i>*With redline for acetylene use</i>			5: Needle valve 1/4" MPT		CGA	M: Protocol station
			6: 1/8" tube fitting			DIN 477	Q: Protocol purge station
			7: 3/8" tube fitting			BS 341	T: Tee purge
			8: Diaphragm valve 1/8" tube fitting			and others available	
			9: Diaphragm valve 1/4" FPT				
			A: 3/8" BSP RH fitting				
			B: Diaphragm valve 3/8" tube fitting				
			C: 3/8" BSP LH fitting				
			D: 6mm brass hose barb (Not available if A=4 or 5)				
			G: 1/8" stainless steel tube fitting				
			H: 1/4" stainless steel tube fitting				
			M: 6mm tube fitting				
			S: Diaphragm valve 6mm tube fitting				

200 SERIES

Flow Curves for 109, 202 Series Single Stage Regulators

109 & 202 Series Single Stage Regulator



109 & 202 Series Single Stage Regulator

