



300 Series Regulators



- Single Stage
- Chrome-Plated Brass Barstock Body
- Four Port Configuration
- Real Inlet

The 307 Series regulators are intended for secondary pressure control of non-corrosive, high purity or liquefied gases or as point of use pressure control in high purity gas distribution systems.



307 2031 shown

Typical Applications

- Bulk gas distribution systems
- Gas and liquid chromatography
- High purity carrier gases
- Zero, span, and calibration gases
- High purity chamber pressurization
- Liquefied hydrocarbon gas control
- Control of cryogenic gases

Features

- Capsule® Seat**
Increased serviceability and life
- 316L Stainless Steel Diaphragm**
No inboard diffusion
- Low Wetted Surface Area**
Minimal purge requirements
- Field-Adjustable Pressure Limit**
Safeguard downstream equipment
- Convolutd Diaphragm**
Smooth pressure changes
- Compact Design**
Easily transported and integrated into systems
- Chrome-Plated Brass Barstock Body**
Smooth surface finish
- Rear Panel-Mountable**
Easy installation
- Pressure Ranges 0-15 to 0-200 PSIG**
Broad range of applications
- 3000 PSIG Inlet Pressure Rating**
Safe use with high pressure cylinders

Materials

- Body**
Chrome-plated brass barstock
- Bonnet**
Chrome-plated die cast zinc
- Seat**
PTFE
- Filter**
10 micron sintered bronze
- Diaphragm**
316L stainless steel
- Internal Seals**
PTFE

Specifications

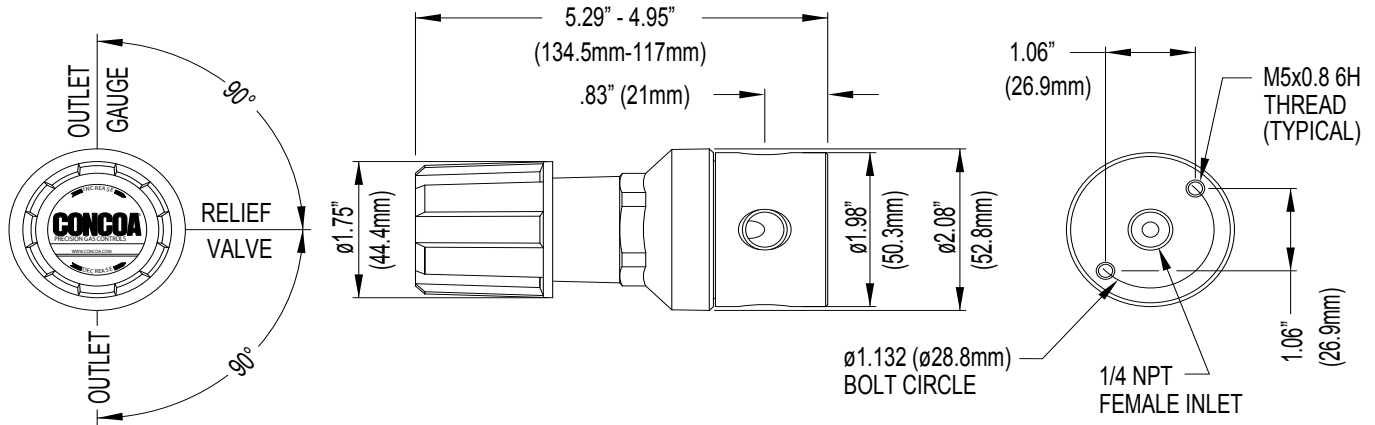
- Maximum Inlet Pressure**
3000 PSIG (210 BAR)
- Temperature Range**
-40°F to 140°F (-40°C to 60°C)
- Gauges**
2" diameter chrome-plated brass
- Ports**
1/4" FPT
- Helium Leak Integrity**
1 x 10⁻⁸ scc/sec
- Cv**
0.1
- Weight (307 3031-TF4)**
2.9 lbs. (1.29 kg)

CRN OH 5216.5C

300 Series Regulators



Installation Information



300 SERIES

Ordering Information

307	A	B	C	D	-CON	Options	
Series 307	Outlet Pressure	Outlet Gauge	Inlet Gauge	Outlet Assemblies	Assembly Gauges	Inlet Connections	Installed Options
	1: 0-15	0-30 PSIG	0: None	0: 1/4" FPT port	0: Bare body	000: 1/4" FPT	None
	2: 0-30	0-60 PSIG		1: 1/4" MPT	1: Standard assembly (PSIG/kPa gauges)	TF2: 1/8" tube	
	3: 0-50	0-100 PSIG		2: 1/4" tube fitting	2: Standard assembly (BAR/PSIG gauges)	TF4: 1/4" tube	
	5: 0-100	0-200 PSIG		3: Diaphragm valve 1/4" tube fitting		TF6: 3/8" tube	
	6: 0-200	0-400 PSIG		4: Diaphragm valve 1/4" MPT		M06: 6mm tube	
	8: 2-15 LPM CO ₂	2-15 LPM flowgauge		5: Needle valve 1/4" MPT		CGA DIN 477 BS 341 and others available	
	9: Custom calibration	Custom flowgauge		6: 1/8" tube fitting			
				7: 3/8" tube fitting			
				8: DISS outlet			
				9: Diaphragm valve 1/4" FPT			
				A: 3/8" BSP RH fitting			
				B: Diaphragm valve 1/8" tube fitting			
				M: 6mm tube fitting			
				S: Diaphragm valve 6mm tube fitting			

**Flow Curves for
302, 304, 305, 307, 322, 324, 327, 402, 408, 420, 422, 426, 427, 428, 429 Series Regulators**

