



400 Series Regulators



- Single Stage
- SilcoNert™ 1020 Coated Body, Diaphragm, and Internals
- 316L Stainless Steel Barstock Body
- Six Port Configuration
- Inert Surface Finish and Corrosion Resistance



The 420 Series SilcoNert 1020 coated regulators are intended for primary pressure control of reactive or corrosive calibration mixtures or pure gases in applications where an extreme inert wetted finish is required. The proprietary non-reactive amorphous silicon finish is desired over standard 316L stainless steel and ideally suited for H₂S, reduced Sulfur, Mercury and PPM to PPB calibration mixtures.

Typical Applications

- Reactive calibration standard
- Emissions monitoring
- H₂S PPM to PPB standards
- Mercury standards
- Sulfur mixtures
- Corrosive gases

Features

- Metal-to-Metal Diaphragm Seal**
No possibility of gas contamination
- Capsule® Seat**
Increased serviceability and life
- Stainless Steel Barstock Body**
Increased corrosion resistance
- Front and Rear Panel-Mountable**
Versatile system configuration
- Pressure Ranges 0-15 to 0-500 PSIG**
Broad range of applications
- Pipe Away Relief Valve**
Safely vents exhaust gases

Materials

- Body**
316L stainless steel barstock
- Bonnet**
Chrome-plated brass barstock
- Seat**
PTFE
- Filter**
Patented 10 micron 316 mesh
- Diaphragm**
316L stainless steel
- Internal Seals**
PTFE

Specifications

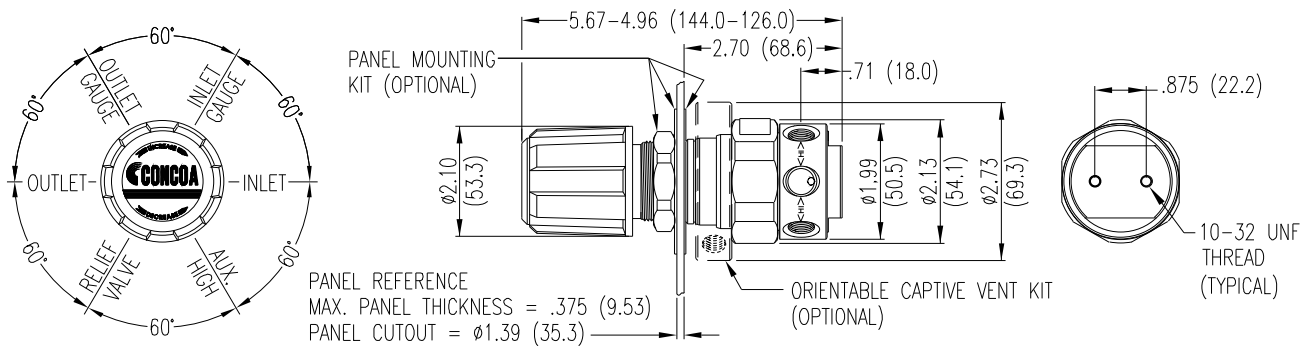
- Maximum Inlet Pressure**
3000 PSIG (210 BAR)
4500 PSIG (310 BAR) optional
- Temperature Range**
-40°F to 140°F (-40°C to 60°C)
- Gauge**
2" diameter stainless steel (bourdon tube not coated)
- Ports**
1/4" FPT
- Helium Leak Integrity**
1 x 10⁻⁹ scc/sec
- Cv**
0.1 (Max outlet 50 PSIG or below)
0.2 (Max outlet above 50 PSIG)
- Weight (445 2021-TF4)**
2.57 lbs. (1.17 kg)

400 Series Regulators



Installation Information

400 SERIES



Ordering Information

420	A	B	C	D	-CON	Options	
Series 420	Outlet Pressure	Outlet Gauge	Inlet Gauge	Outlet Assemblies	Assembly/Gauges	Inlet Connections	Installed Options
	1: 0-15*	30"-0-30 PSIG	0: None	0: 1/4" FPT port	0: Bare body	000: 1/4" FPT	A: Protocol alarm station (110V)
	2: 0-50	30"-0-100 PSIG	3: 0-4000 PSIG	2: 1/4" tube fitting	1: Cleanroom assembly (PSIG/kPa gauges)	TF2: 1/8" tube	B: Protocol alarm station (220V)
	3: 0-100	30"-0-200 PSIG	5: 0-1000 PSIG	3: Diaphragm valve 1/4" tube fitting	2: Cleanroom assembly (BAR/PSIG gauges)	TF4: 1/4" tube	C: Protocol switchover station*
	4: 0-250	0-400 PSIG	6: 0-300 PSIG	6: 1/8" tube fitting	6: Mirror image (PSIG/kPa gauges)	CGA DIN 477 BS 341 and others available upon request	G: Protocol switchover station with alarm (110V)*
	5: 0-500	0-1000 PSIG	7: 0-400 PSIG	8: Diaphragm valve 1/8" tube fitting	7: Mirror image (BAR/PSIG gauges)		H: Protocol switchover station with alarm (220V)*
	7: 0-150	30"-0-200 PSIG	8: 0-6000 PSIG*	9: Diaphragm valve 1/4" FPT			M: Protocol station
	*Not available with 4500 PSIG maximum inlet pressure		*Maximum inlet pressure 4500 PSIG (310 BAR) with PCTFE Seat Capsule®				Q: Protocol purge station*
							*Not available with 4500 PSIG max inlet pressure

**Flow Curves for
302, 304, 305, 307, 322, 324, 327, 402, 408, 420, 422, 426, 427, 428, 429 Series Regulators**

