



Chem Master SGS620 Series

6.0 Purity Single Stage Stainless Steel Piston Cylinder Regulator



The Chem Master SGS620 single stage piston cylinder regulators are designed for primary pressure gas control of corrosive, toxic and high purity gases up to grade 6.0 purity (99.9999%), on applications where slight pressure variation from decreasing cylinder pressure is acceptable.

- **SGS621** Series | Single Stage Piston Cylinder Regulator, FKM Seal
- **SGS622** Series | Single Stage Piston Cylinder Regulator, EPDM Seal



★ FEATURES

- Six port configuration
- Front and rear panel mounting capabilities
- Encapsulated seat design
- Low wetted surface area
- Full range of inlet and outlet fittings
- Side entry

🔧 MATERIAL

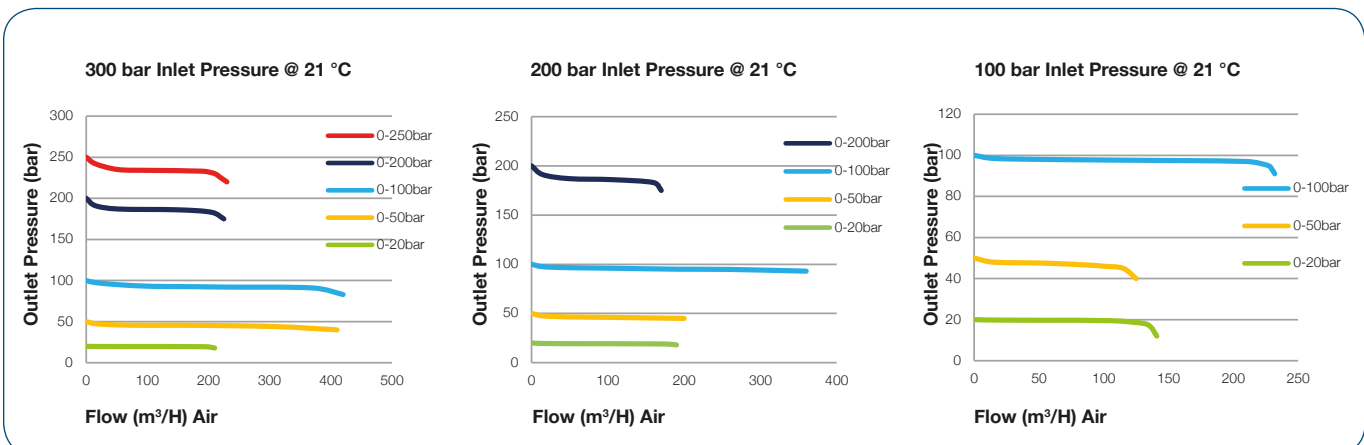
- **Body** 316L Stainless Steel
- **Bonnet** Nickel Plated Brass Barstock
- **Piston** 316L Stainless Steel
- **Seal** FKM / EPDM
- **Valve Seat** PCTFE
- **Filter** 10 Micron 316L Stainless Steel

* Subject to cylinder connection – ** Cylinder Connection not included
*** NACE and 3.1 material certificates available on request, please contact the sales office for further information.

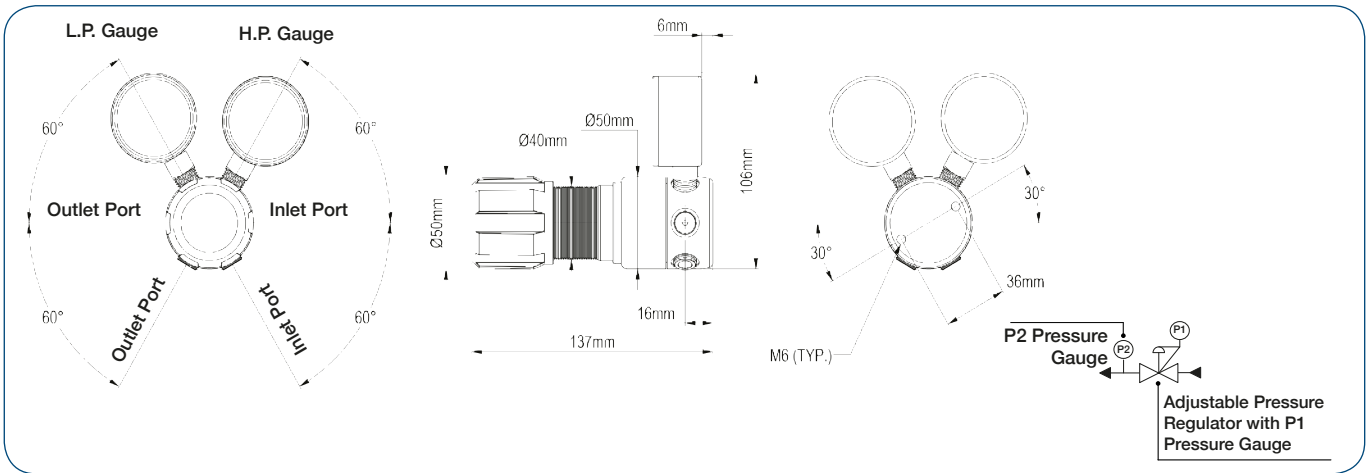
👍 SPECIFICATION

- **Maximum Inlet Pressure** 60 bar (870 PSI)
300 bar (4350 PSI) *
- **Delivery Pressure Range** 20 bar (300 PSI)
50 bar (725 PSI)
100 bar (1450 PSI)
200 bar (2900 PSI)
250 bar (3625 PSI)
- **Gauges** 50mm (2") Diameter
- **Ports** 1/4" NPT Female
- **Temperature Range** -20° C to +60° C (-4° F to +140° F)
- **Helium Leak Integrity** 1 x 10⁻⁹ mbar l/s
- **Weight** 1.4 kg (3.1 lb) **

✓ FLOW PERFORMANCE



DRAWINGS



MODEL NO. SELECTOR GUIDE

Example for a Model No. for SGS620 Series

Product Type	Inlet Pressure Bar [Psig]	Outlet Pressure Bar [Psig]	Inlet Pressure Gauge	Outlet Pressure Gauge	Inlet Connection	Outlet Connection	Options
SGS621-	02- 60 [870]	02- 0 bis 20 [300]	00- No Gauge Fitted	00- No Gauge Fitted	000 1/4" NPT Female	00 1/4" NPT Female	A No Options Selected
SGS622	04 300 [4350]	10 0 bis 50 [725]	01 bar/PSI	01 bar/PSI	001 1/8 Stainless Steel Compression	01 1/8 Stainless Steel Compression	B Regulator Tee Purge FKM
		11 0 bis 100 [1450]	10 Plugged port	10 Plugged port	002 1/4 Stainless Steel Compression	02 1/4 Stainless Steel Compression	C Regulator Tee Purge EPDM
		12 0 bis 200 [2900]			003 6mm Stainless Steel Compression	03 6mm Stainless Steel Compression	D Regulator Deep Purge FKM
		13 0 bis 250 [3625]			004 1/4 NPT Male	04 1/4 NPT Male	E Regulator Deep Purge EPDM
					010 BS341 No.3	09 Isolation Valve, 1/4 NPT Female, FKM Seal	F Bonnet Vent Capture Kit
					012 BS341 No.4	10 Isolation Valve, 1/4 NPT Female, EPDM Seal	G Helium Test Certificate
					019 BS341 No.14	11 Isolation Valve, 1/8 Stainless Steel Compression, FKM Seal	H 3.1 Material Certificate***
					030 DIN477 No.6	12 Isolation Valve, 1/8 Stainless Steel Compression, EPDM Seal	J NACE Certificate***
					033 DIN477 No.9	13 Isolation Valve, 1/4 Stainless Steel Compression, FKM Seal	K Certificate of Conformity (CoC)
					034 DIN477 No.10	14 Isolation Valve, 1/4 Stainless Steel Compression, EPDM Seal	L Panel Mount Locking Nut Kit
					045 CGA320	15 Isolation Valve, 6 mm Stainless Steel Compression, FKM Seal	P Calibration/Pressure Test certificate
					052 CGA540	16 Isolation Valve, 6mm Stainless Steel Compression, EPDM Seal	X Special Instruction
					053 CGA580	17 Isolation Valve, 1/4 NPT Male, FKM Seal	
					For our complete range of cylinder connections refer to 'Chem Master Cylinder Connections Data Sheet'		
					18 Isolation Valve, 1/4 NPT Male, EPDM Seal		