



Spec Master HPS620 Series

6.0 Purity Single Stage Nickel Plated Brass Barstock
Piston Cylinder Regulator



The Spec Master HPS620 Series single stage Piston cylinder regulators are designed for primary pressure gas control of non-corrosive or toxic, high purity gases up to grade 6.0 purity (99.9999%), on applications where slight variation from decreasing cylinder pressure is acceptable.

- **HPS621** Series | Single Stage Piston Cylinder Regulator, FKM Seal
- **HPS622** Series | Single Stage Piston Cylinder Regulator, EPDM Seal



★ FEATURES

- Six port configuration
- Front and rear panel mounting capabilities
- Encapsulated seat design
- Low wetted surface area
- Full range of inlet and outlet fittings
- Base and side entry

🔧 MATERIAL

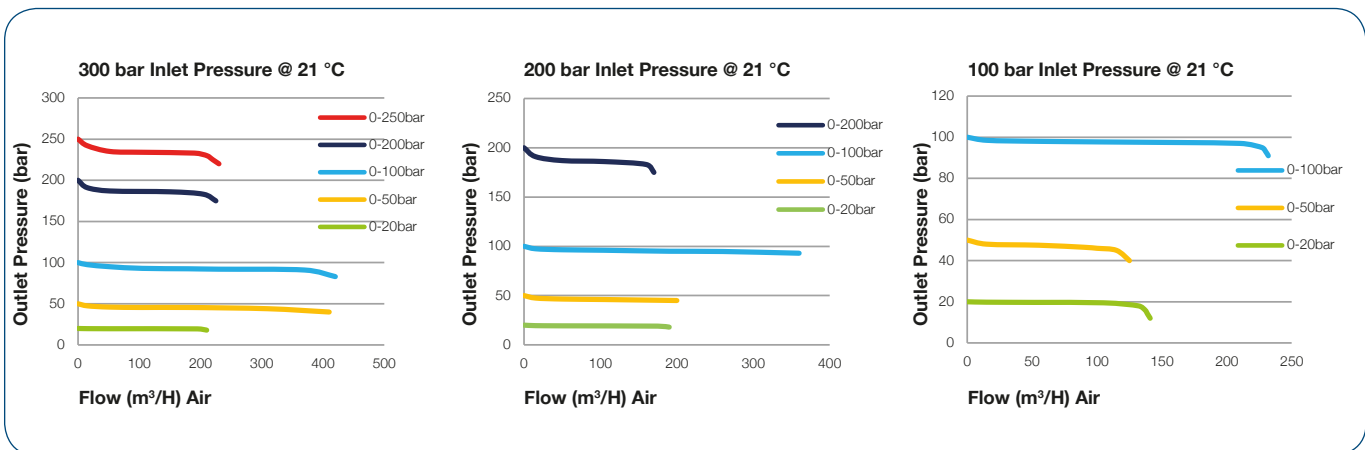
■ Body	Nickel Plated Brass Barstock
■ Bonnet	Nickel Plated Brass Barstock
■ Piston	Brass
■ Bonnet Seal	FKM / EPDM
■ Valve Seat	PCTFE
■ Filter	10 Micron 316L Stainless Steel

👍 SPECIFICATION

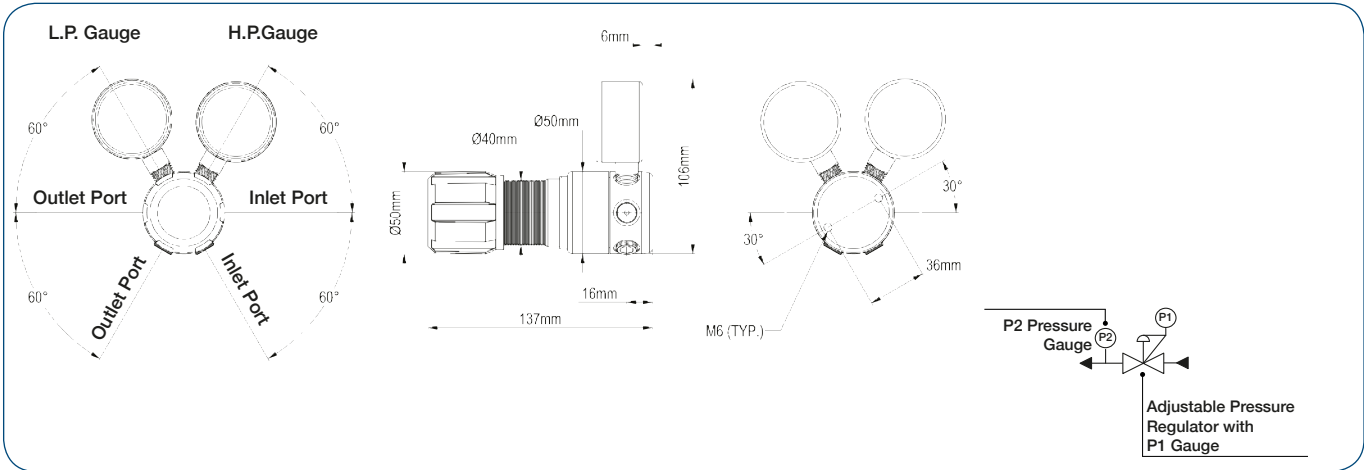
■ Maximum Inlet Pressure	60 bar (870 PSI) 300 bar (4350 PSI) *
■ Delivery Pressure Range	20 bar (300 PSI) 50 bar (725 PSI) 100 bar (1450 PSI) 200 bar (2900 PSI) 250 bar (3625 PSI)
■ Gauges	50mm (2") Diameter
■ Ports	1/4" NPT Female
■ Temperature Range	-20° C to +60° C (-4° F to +140° F)
■ Helium Leak Integrity	1 x 10 ⁻⁹ mbar l/s
■ Weight	1.4 kg (3.1 lb) **

* Subject to cylinder connection – ** Cylinder connection not included

✓ FLOW PERFORMANCE



DRAWINGS



MODEL NO. SELECTOR GUIDE

Example for a Model No. for HPS620 Series

Product Type	Inlet Pressure Bar [PSI]	Outlet Pressure Bar [PSI]	Inlet Pressure Gauge	Outlet Pressure Gauge	Inlet/Cylinder Connection	Outlet Connection	Options
HPS621-	02- 60 [870]	07- 0 to 20 [300]	00- No Gauge Fitted	00- No Gauge Fitted	000- 1/4 NPT Female	00- 1/4 NPT Female	A No Options Selected
HPS622	04- 300 [4350]	10- 0 to 50 [725]	01- bar/PSI	01- bar/PSI	001- 1/8 Stainless Steel Compression	01- 1/8 Stainless Steel Compression	B Regulator Tee Purge FKM
		11- 0 to 100 [1450]	10- Plugged Port	10- Plugged Port	002- 1/4 Stainless Steel Compression	02- 1/4 Stainless Steel Compression	C Regulator Tee Purge EPDM
		12- 0 to 200 [2900]			003- 6mm Stainless Steel Compression	03- 6mm Stainless Steel Compression	F Bonnet Vent Capture Kit
		13- 0 to 250 [3625]			004- 1/4 NPT Male	04- 1/4 NPT Male	G Helium Test Certificate
					007- G3/8 BSP R/H Brass Male	07- G3/8 BSP R/H, Brass, Male	K Certificate of Conformity (CoC)
					008- G3/8 BSP L/H Brass Male	08- G3/8 BSP L/H, Brass, Male	L Panel Mount Locking Nut Kit
					010- BS341 No.3	09- Isolation Valve, 1/4 NPT Female, FKM Seal	P Calibration / Pressure Test Certificate
					012- BS341 No.4	10- Isolation Valve, 1/4 NPT Female, EPDM Seal	X Special Instruction
					015- BS341 No.8	11- Isolation Valve, 1/8 Stainless Steel Compression, FKM Seal	
					030- DIN477 No.6	12- Isolation Valve, 1/8 Stainless Steel Compression, EPDM Seal	
					033- DIN477 No.9	13- Isolation Valve, 1/4 Stainless Steel Compression, FKM Seal	
					034- DIN477 No.10	14- Isolation Valve, 1/4 Stainless Steel Compression, EPDM Seal	
					045- CGA320	15- Isolation Valve, 6mm Stainless Steel Compression, FKM Seal	
					052- CGA540	16- Isolation Valve, 6mm Stainless Steel Compression, EPDM Seal	
					053- CGA580	17- Isolation Valve, 1/4 NPT Male, FKM Seal	
					For our complete range of cylinder connections refer to 'Cylinder Connections Data'	18- Isolation Valve, 1/4 NPT Male, EPDM Seal	
						19- Isolation Valve, G3/8 BSP R/H Brass Male, FKM Seal	
						20- Isolation Valve, G3/8 BSP R/H Brass Male, EPDM Seal	
						21- Isolation Valve, G3/8 BSP L/H Brass Male, FKM Seal	
						22- Isolation Valve, G3/8 BSP L/H Brass Male, EPDM Seal	